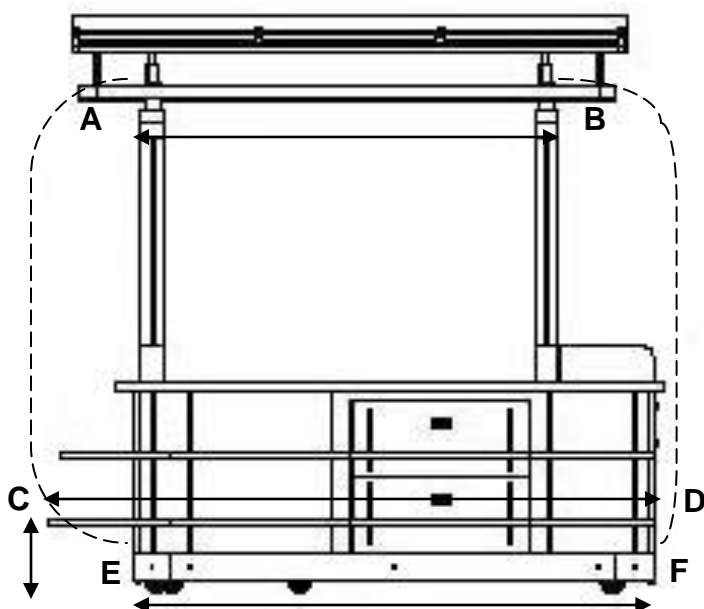
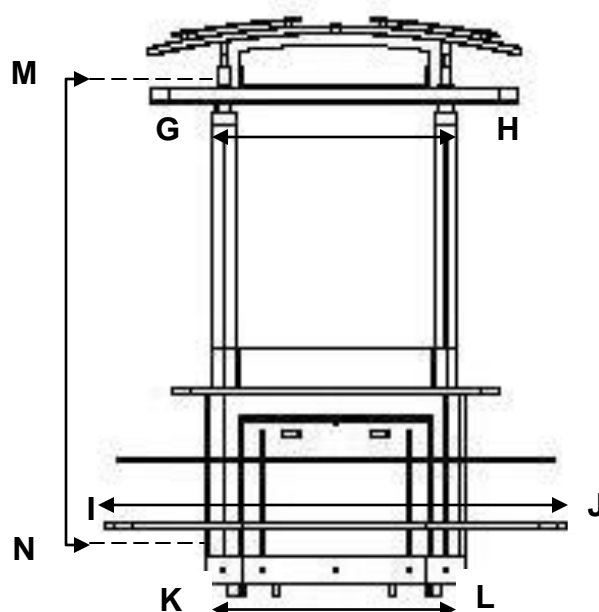


# RMU Measurements

**Side**



**End**



On your RMU, please measure:

## **Side Measurements**

**A – B Measurement \_\_\_\_\_ (Inches)**

From A to B, largest top side points that the RMU cover will wrap around.

**C – D Measurement \_\_\_\_\_ (Inches)**

From C to D, measurement of widest part on side (include shelves or glass cases if necessary).

**E – F Measurement \_\_\_\_\_ (Inches)**

From E to F, bottommost part of side view of RMU.

**C – E Measurement \_\_\_\_\_ (Inches)**

From C to E, measurement from bottom of lowest shelf (if applicable) to bottom of RMU.

## **End Measurements**

**G – H Measurement \_\_\_\_\_ (Inches)**

From G to H, measurement of widest part the cover will wrap around on top *end view*.

**I – J Measurement \_\_\_\_\_ (Inches)**

From I to J, measurement of widest part on end (include shelves or glass cases if necessary).

**K – L Measurement \_\_\_\_\_ (Inches)**

From K to L, measurement of the base from the *end view* of the RMU

**M – N Measurement \_\_\_\_\_ (Inches)**

From M to N, measurements of highest and lowest points that the RMU cover will wrap around. Highest point should be parallel with highest eyelet hook.

\*\*If you have additional shelving or cases not included, please draw onto document and provide width of shelf and distance from point "B".

*Please fax completed form to (719) 599-7427 or e-mail to [info@equipinc.com](mailto:info@equipinc.com)*

Name of Mall:

Name of Person who took Measurements: